

## WRAP RETROFIT KIT MKW

### Application

Retrofits 2, 3', 4' and 8' Wrap fixtures with widths of 9", 11" and 15". Allows for De-lamping and T8 conversion.

### Construction

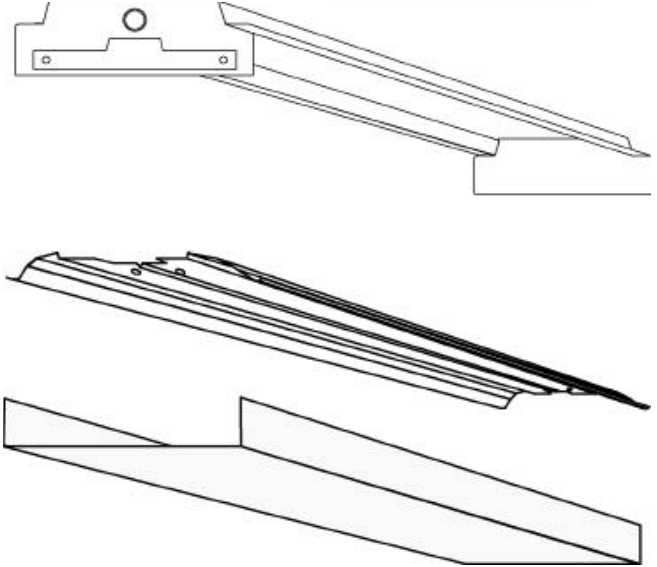
**Kits:** MKW Series reflector / ballast cover, socket brackets, and TEK screws. Optional ballast, sockets and lamps.

**Reflectors:** Precision formed, high performance, 95% total reflectance specular reflector, warranted for 25 years or 91% total reflectance white pre-painted aluminum.

**Construction:** Brackets are manufactured from code gauge cold rolled steel and have white baked enamel finishes.

### Electrical

UL listed wire rated for required temperature and voltage. Lamps is secured with Mogul Base.



### Warranty

One year standard warranty on kit pieces. Ballast carries 3-5 year manufacture warranty.

### Options

Ballast/socket kits, Lamps, 347/480v. (See available options)

### Ordering Information

Use the Flow chart below to configure the part number. Actual part number may vary due to configuration.

### Features

- Available in both T8 and T5
- Optional Factory supplied lamps are available in various CRI ratings, temperature colors and rated life Ballast and wiring access
- Ballast and wiring access without the use of tools.
- Instant Restrike

<b>MKW</b>	<b>Type W</b> Troffer Retrofit Kit
	<b>Length</b> 2 - 2'   3 - 3'   4 - 4'   8 - 8'
	<b>Width</b> 9 - 9"   11 - 11"   15 - 15"
	<b>Number of Lamps Req'd</b> 22 - 2-2'   23 - 3-2'   14 - 4-4'   24 - 2-4'   34 - 3-4'   44 - 4-4'
	<b>Reflector Material</b> W - White pre painted aluminum 91% TR   U - Ultimate aluminum 95% TR
	<b>Options See Options Sheet</b> <input type="checkbox"/> Ballast/Socket Kits <input type="checkbox"/> Lamps <input type="checkbox"/> 347/480v Package