

INDUCTION HIGH BAY FIXTURE

MFIHB

Application

Ideal replacement for energy Inefficient Metal Halide High Bay fixtures.

Construction

Body: High pressure die-casting end cover, streamlined aluminum alloy profiles body.

Refractor/Reflector: Available with high-efficiency 19.5" prismatic acrylic refractor or 19.5" high-reflectance spun aluminum reflector.

Door Refractor: Optional drop bottom refractor prismatic acrylic bottom door allows access to the lamps for easy maintenance.

Ballast: 120/277v high performance electronic, Class P, non PCB, sound rated A, UL certified.

Lamp: 200 watt ,100,000 hr with excellent Color Rendering Index and light efficiency, long life span, no flicker and energy saving, wide range of color temperature and soft light ,stable light output.

Mounting: fixture may be Pendent / Hook mounted or hung with aircraft grade steel cable.



Warranty

One year standard warranty on fixture. Ballast carries 100,000 year manufacture warranty.

Electrical

UL listed wire rated for required temperature and voltage.

Features

- 200 watt 100,000 hr lamp
- 10 year warranty on lamp and ballast
- Total Luminaire Efficiency: 72.5%
- Spacing Criteria 0-180 Deg: 1.2
- Spacing Criteria 90-270 Deg: 1.14
- Factory supplied lamps are available in various CRI ratings, temperature colors and rated life.
- Instant Restrike
- Occupancy sensor compatible

Ordering Information

Use the Flow chart below to configure the part number. Actual part number may vary due to configuration.

MFIHB	Type IHB Induction High Bay Fixture
	Lamp Wattage 20 - 200 watt, 15 - 150 watt
	Refractor/Reflector PA19.5 - Prismatic Acrylic 19.5" SA19.5 - Spun Aluminum 19.5"
	Sensor <input type="checkbox"/> - All
	Options <input type="checkbox"/> - Door Refractor <input type="checkbox"/> - Sensor

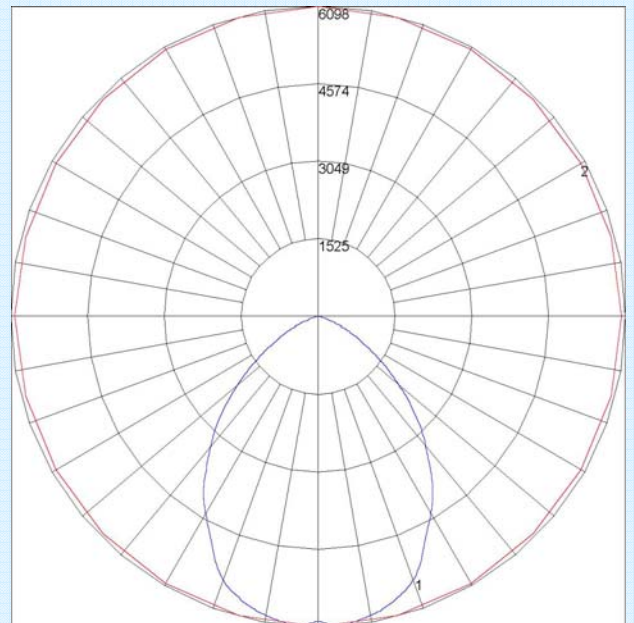
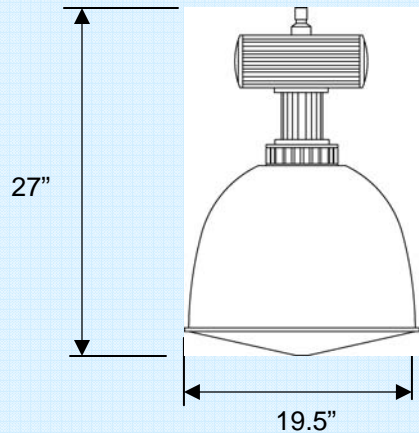
Photometrics

Coefficient of Utilization

1-200w Induction High Bay Fixture Report

RC	80				70				50			30			10			0
RW	70	50	30	10	70	50	30	10	50	30	10	50	30	10	50	30	10	0
0	86	86	86	86	84	84	84	84	81	81	81	77	77	77	74	74	74	72
1	81	78	76	74	79	77	74	72	74	72	70	71	69	68	68	67	66	65
2	75	70	66	63	73	69	65	62	66	63	61	64	62	59	62	60	58	57
3	69	63	58	54	68	62	57	54	60	56	53	58	55	52	56	54	51	50
4	64	57	52	47	63	56	51	47	54	50	47	53	49	46	51	48	45	44
5	60	52	46	42	58	51	46	42	49	45	41	48	4	441	47	43	40	39
6	56	47	41	37	54	46	41	37	45	40	37	44	40	37	43	39	36	35
7	52	43	37	33	51	43	37	33	42	37	33	41	36	33	40	36	33	31
8	48	40	34	30	47	39	34	30	38	33	30	37	33	30	37	33	30	28
9	45	37	31	28	45	36	31	28	35	31	27	35	30	27	34	30	27	26
10	43	34	29	25	42	34	29	25	33	28	25	32	28	25	32	28	25	24

Specifications



ZONAL LUMEN SUMMARY			
ZONE	LUMENS	%LAMP	%FIXT
0- 30	4561	28.5	39.3
0- 60	10775	67.3	92.9
0- 90	11600	72.5	100.0
90-180	0	0.0	0.0
0-180	11600	72.5	100.0

Total Fixture Efficiency: 72.5%

Harris Lighting™
Innovative Efficient Solutions