

WALL WASH STRIP RETROFIT KIT

MKWW

Application

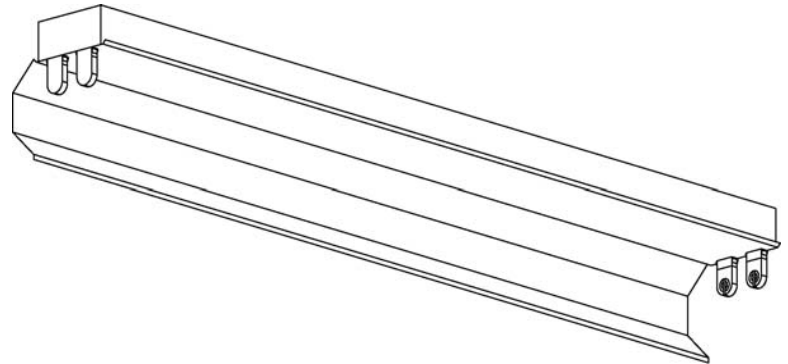
Wall Wash retrofit for existing wall wash, standard or industrial 4' and 8' strip fixtures.

Construction

Kits Contain: WW Series reflector / ballast cover, universal socket brackets, sockets, TEK screws and Quarter Turns fasteners. Optional ballast and lamps.

Reflectors: Precision formed, high performance, 95% total reflectance specular reflector, warranted for 25 years or 91% total reflectance white pre-painted aluminum.

Construction: Socket brackets are manufactured from code gauge cold rolled steel and have white baked enamel finishes. Access to ballast and wiring does not require tools.



Electrical

UL listed wire rated for required temperature and voltage. Lamps are secured with twist-locking sockets.

Warranty

One year standard warranty on fixture. Ballast carries 3-5 year manufacture warranty.

Options

Ballast and Lamps (See available options)

Features

- One piece Reflector/ballast cover construction.
- Reflector improves fixture efficiency; allows for de lamping
- Total Luminaire Efficiency: 88.9%
- Spacing Criteria 0-Deg: 1.22, 90-Deg:1.26
- Available in both T8 and T5
- Optional supplied lamps are available in various CRI ratings, temperature colors and rated life
- Ballast and wiring access without the use of tools.
- Instant Restrike
- Dimming/Occupancy sensor compatible

Ordering Information

Use the Flow chart below to configure the part number. Actual part number may vary due to configuration.

MKWW	Type WW Wall Wash Strip Retrofit Kit
	Fixture Size 44- 4' x 4.25" wide 45- 4' x 5" wide 84- 8' x 4.25" wide 85- 8' x 5" wide C- Custom
	Lamps Req'd 14 - 1-4' (4' fixture) 24 - 2-4' (4' or 8' fixture) 44 - 4-4' (8' fixture)
	Lamp Type T8 - T8 T5 - T5
	Reflector Material W - White pre painted aluminum 91% TR U - Ultimate aluminum 95% TR
	Sensor <input type="checkbox"/> - All Lamps <input type="checkbox"/> - Portion of Lamps
	Options See Options Sheet <input type="checkbox"/> - Reflector <input type="checkbox"/> - Ballast <input type="checkbox"/> - Lamps <input type="checkbox"/> - Wireguard

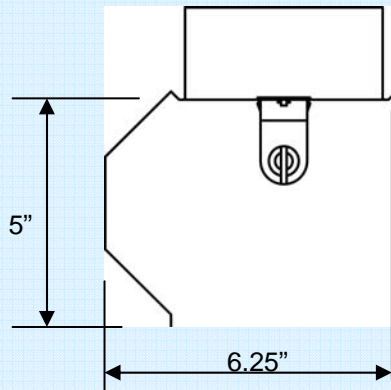
Photometrics

Coefficient of Utilization

1 FO32 Fixture Report LM-63-1995

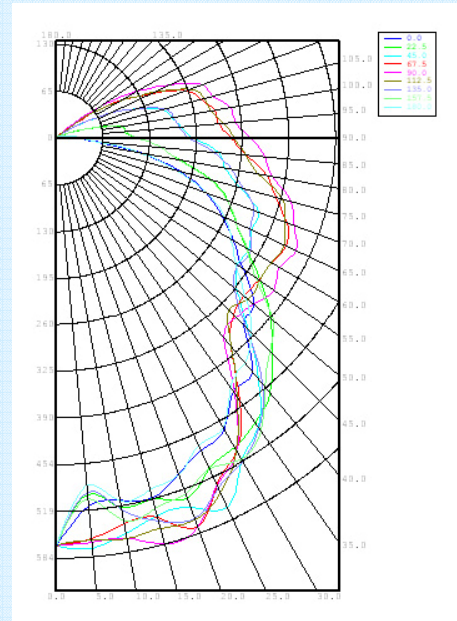
RC	80				70				50			30			10			0
RW	70	50	30	10	70	50	30	10	50	30	10	50	30	10	50	30	10	0
0	102	102	102	102	98	98	98	98	90	90	90	83	83	83	77	77	77	74
1	89	84	79	74	85	80	76	72	74	70	67	68	65	62	62	60	58	55
2	80	71	64	58	76	68	62	56	63	57	53	57	53	49	53	49	46	43
3	72	62	53	47	69	59	52	45	54	48	43	50	44	40	46	41	38	35
4	66	54	45	39	62	52	44	38	48	41	36	44	38	34	40	35	32	29
5	60	48	39	33	57	46	38	32	42	36	30	39	33	29	36	31	27	25
6	55	43	34	28	53	41	33	28	38	31	26	35	29	25	32	27	23	21
7	51	39	30	25	49	37	30	24	34	28	23	32	26	22	29	24	21	19
8	48	35	27	22	45	34	26	21	31	25	20	29	23	19	27	22	18	16
9	44	32	25	19	42	31	24	19	29	23	18	27	21	17	25	20	16	15
10	41	29	22	17	40	28	22	17	27	21	16	25	19	16	23	18	15	13

Specifications



ZONAL LUMEN SUMMARY			
ZONE	LUMENS	%LAMP	%FIXT
0- 30	448	15.4	17.4
0- 60	1335	46	51.8
0- 90	2144	73.9	83.2
90-180	433	14.9	16.8
0-180	2577	88.9	100

Total Fixture Efficiency: %



Harris Lighting
Innovative Efficient Solutions